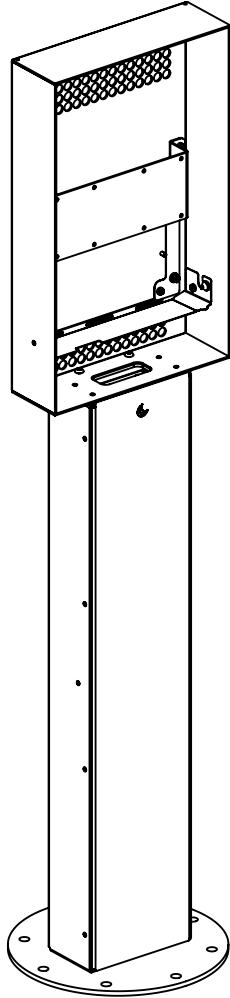


# Installation Guide

## Outdoor Kiosk for Samsung OH24B





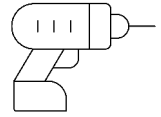
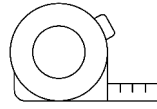
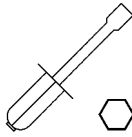
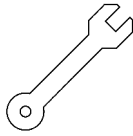
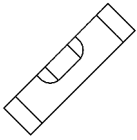
# CAUTION

- Be sure to read & understand the entire installation guide, before starting the installation
- This product must be installed by a professional installer. More than one person needs to be involved in the installation of this product.
- This product is designed to be mounted on a flat concrete surface. Before installation please verify that the supporting surface can bear the combined weight of the solution and hardware.
- Do not to overtighten the fixings.
- Do not scratch the surface of the enclosure during installation, as it can lead to corrosion over time.
- The maximum weight limit for hardware (screen, accessories etc.) for this solution is 55 kg. Do not exceed the stated weight limit.
- It is the responsibility of the installer to use the appropriate chemical anchors for the specific installation location. Please follow the fixing suppliers recommendations for installation. The anchors should as a minimum be thread size M14 with steel grade 8.8 or better (min. yield strength of 76.4kN).
- This product is intended for outdoor use. Installation is not recommended to take place in rough weather conditions (Strong wind, heavy rain or snow).
- This solution is purely designed for outdoor certified hardware and accessories. Always follow the installation guide from the hardware manufacturer for correct installation.
- The enclosure includes air ventilation holes on the rear of the unit. These need to remain open at all times to ensure correct operations of the screen.
- Please don't power the hardware, until the entire solution is fully assembled.
- If these installation instructions are not followed precisely, it could lead to product failure and potential personal injury.
- Ergonomic Solutions cannot be held responsible for any failure or injury, if the installation instructions are not followed correctly.
- Ergonomic Solutions cannot be held responsible for any failure or injury, if any modifications have been made to the product by the customer.

## MAINTENANCE

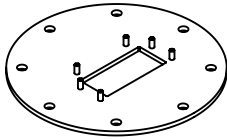
- Any scratches to the surface of the product should be repaired immediately to avoid any corrosion.
- It is the responsibility of the customer to periodically check the installation and ensure it is clean, all air ventilation holes are free and all fixings are tightened correctly.
- Do not use pressure hoses or high-pressure water jets, garden hoses and sprinklers directly on the enclosure.

# Tool list

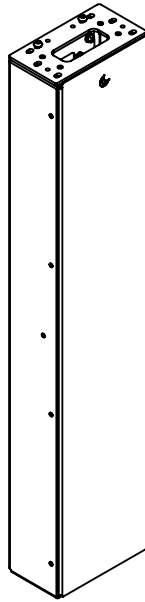


# Box content

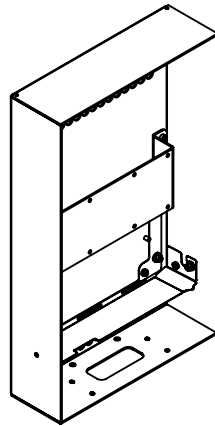
SPDS3100



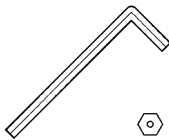
1x (A)



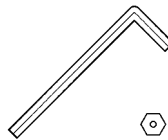
1x (B)



1x (C)



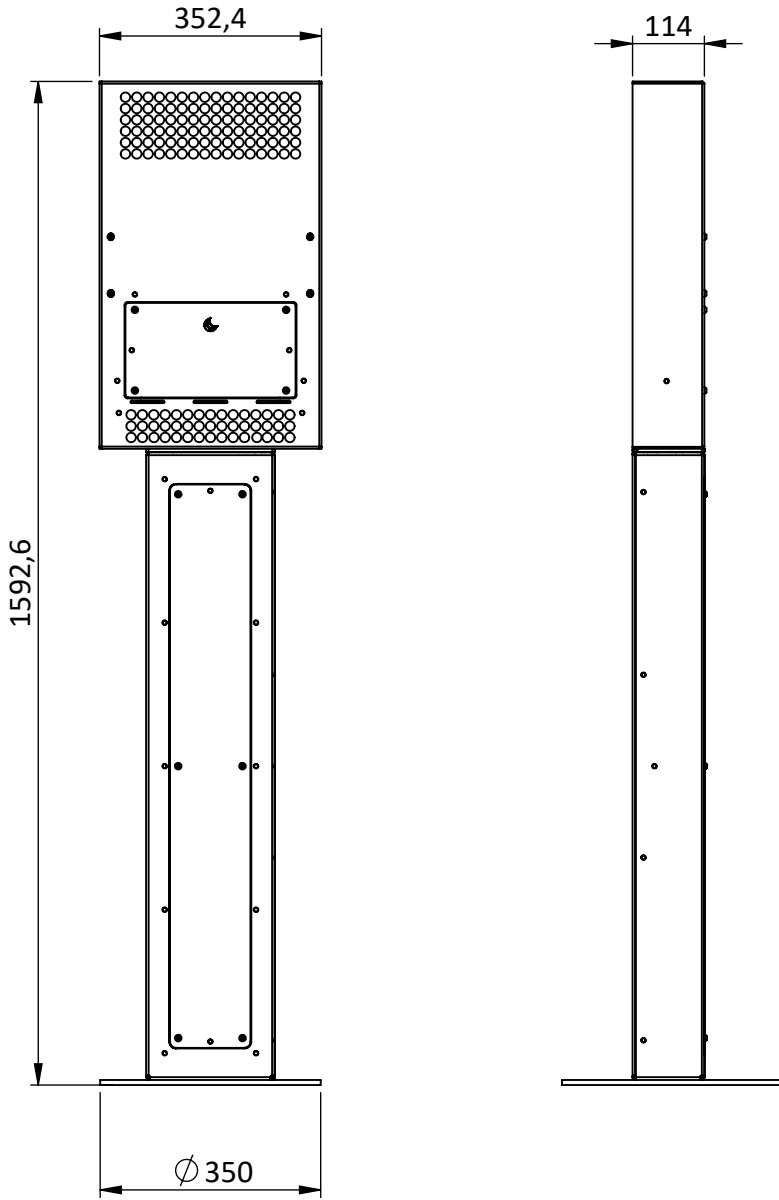
1x (ResisTorx TRX30 key)



1x (ResisTorx TRX40 key)

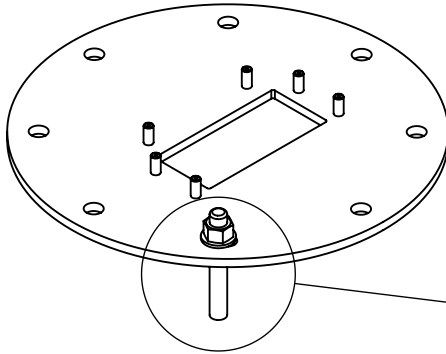
# Dimensions [mm]

SPDS3100

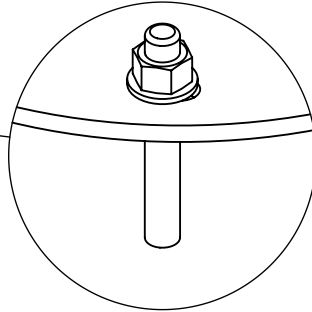


# Steps

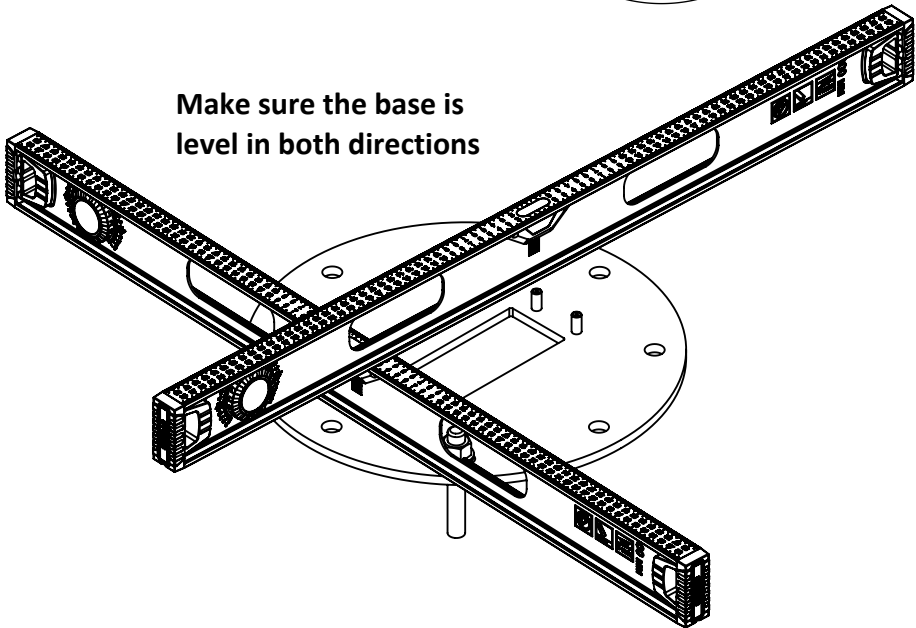
## Step 1: Position the base plate on the ground



**Fix posts  
(min 4 x bolts/screws)**



**Make sure the base is  
level in both directions**

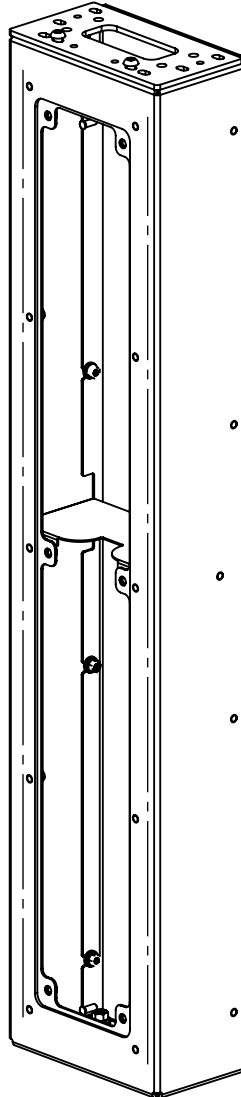
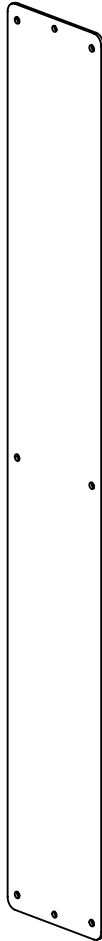
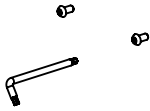


**WARNING:** It is the responsibility of the installer to use the correct fixings for the specific installation site.

# Steps

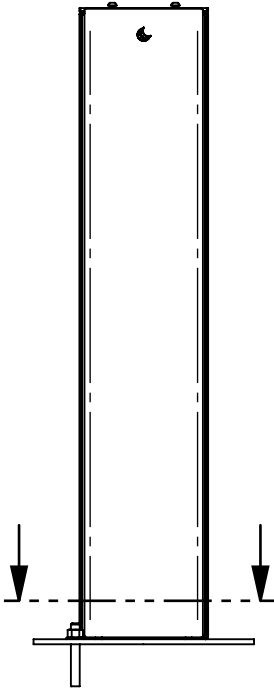
**Step 2:** Remove the back lid

Unscrew 4 x M6 security screws

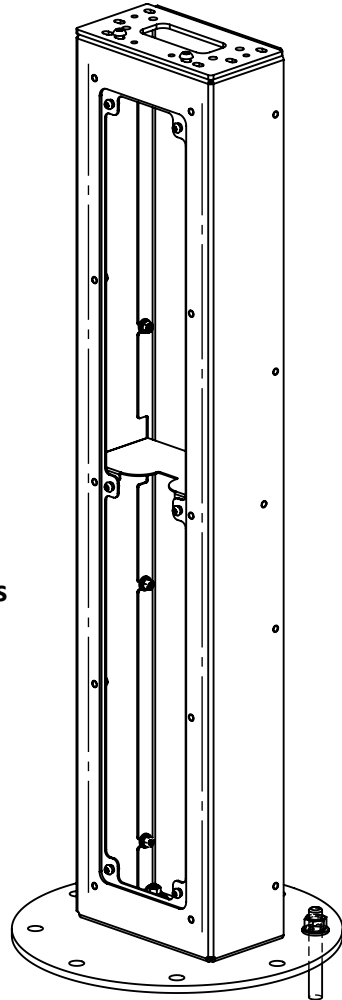
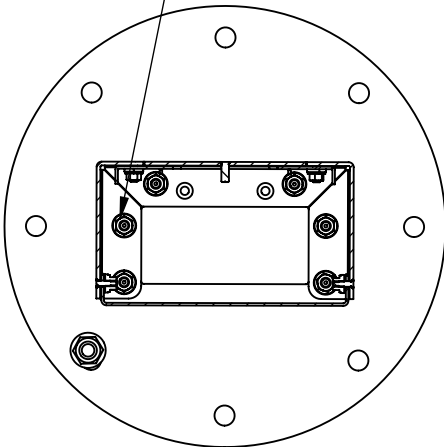


# Steps

Step 3: Mount the base on the base plate

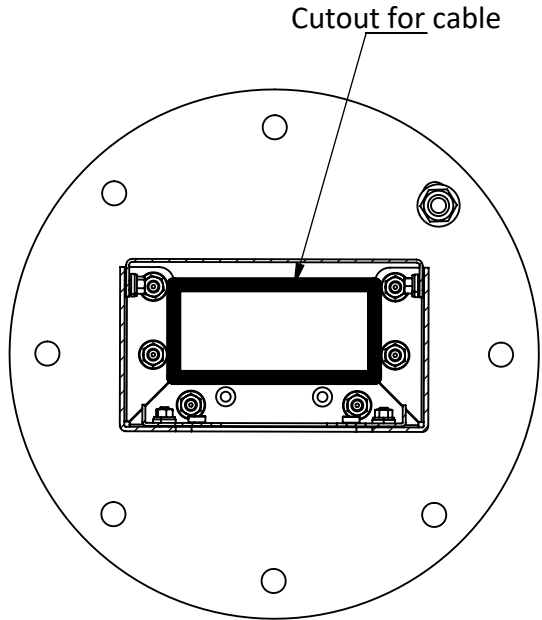
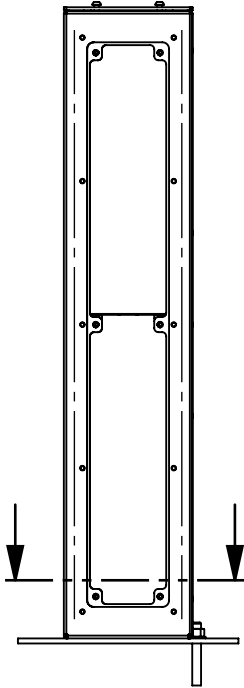


Fix base with 6 x M8 Nuts



# Steps

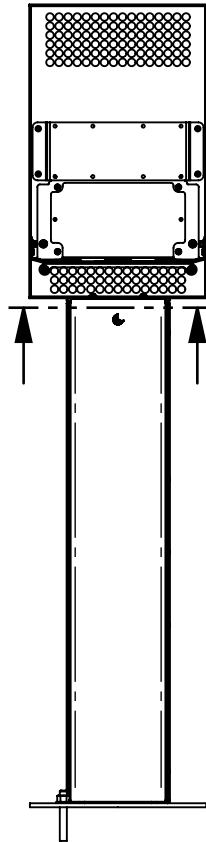
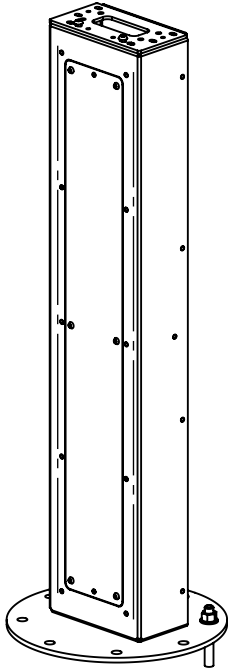
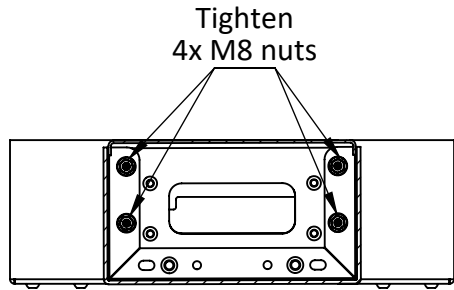
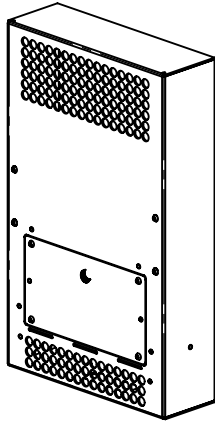
## Step 4: Run cables from ground





# Steps

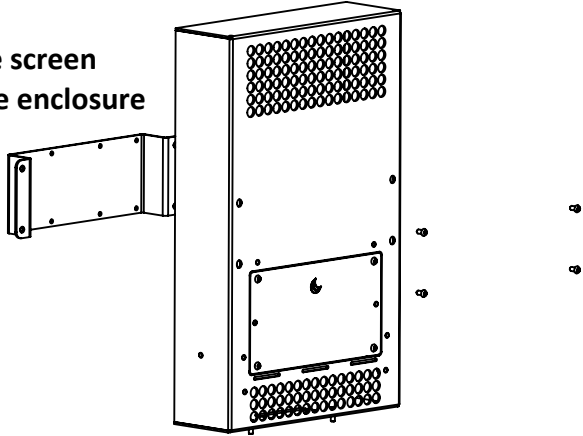
## Step 5: Mount top frame



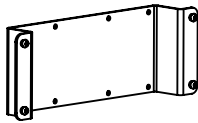
# Steps

## Step 6: Install screen mounting bracket

Disassemble the screen bracket from the enclosure



Tighten screen according to hardware specifications

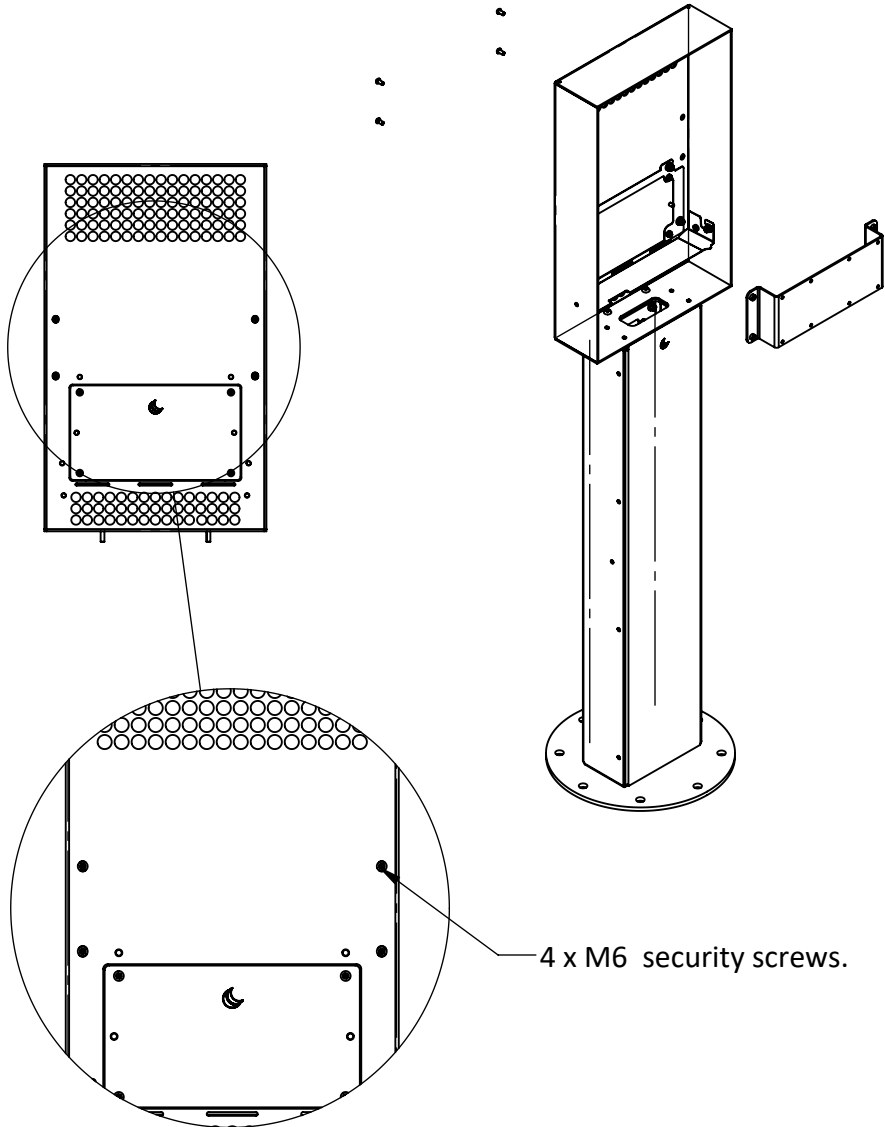


Install cable before inserting the screen to the enclosure

# Steps

## Step 7: Install hardware

Position screen inside cabinet



*This page intentionally left blank*

*This page intentionally left blank*

*This page intentionally left blank*

*This page intentionally left blank*

**Need help? Contact us**



[ergonomic.solutions/about/contact-us](https://ergonomic.solutions/about/contact-us)

[spacepole.com/about/contact-us](https://spacepole.com/about/contact-us)